

# Exquisite

PRODUCT CATALOGUE 2019



## Company Overview

Exquisite Marketing Australia Pty. Ltd. was established in 2004 as an importer and distributor of commercial refrigeration products. At Exquisite Marketing Australia we have a strong team environment and provide all our clients with a reliable and highly valued service.

Since the start of our business, our company has grown each year, thanks to support from our customers for our quality products and services. We now have a commercial refrigeration range that fit whole commercial kitchen needs, display refrigeration for your store, medical refrigeration range as well as other refrigeration product.

Our objective is to provide our clients with high quality equipment that performs exceptionally well in diverse climate supported by reliable service network throughout the region. Exquisite Marketing Australia pride ourselves on providing trustworthy service, delivered by our dedicated staff who have the experiences and skills to advise you on all your refrigeration requirements.

## Contents

<b>Contents</b> .....	<b>03</b>
<b>Commercial Kitchen:</b> .....	<b>04</b>
Under Bench Chillers with Solid Doors .....	05
Under Bench Chillers with Glass Doors .....	06
Under Bench Freezers with Solid Doors .....	07
Snack Size Under Bench Chillers with Solid Doors .....	08
Snack Size Under Bench Chillers with Glass Doors .....	09
Snack Size Under Bench Freezers with Solid Doors .....	10
Single Door Under Bench Chillers and Freezers .....	11
Upright Gastronorm Chillers .....	12
Upright Gastronorm Chillers with Glass Doors .....	13
Upright Gastronorm Chillers with Split Doors .....	14
Upright Gastronorm Freezers .....	15
Upright Gastronorm Freezers with Split Doors .....	16
Sandwich / Pizza Preparation Chillers .....	17
Salad / Noodle Bar Chillers .....	19
Ingredient Counter Top Chillers .....	20
Stainless Steel Top Chest Freezers .....	21
<b>Display Cabinets:</b> .....	<b>22</b>
Counter Top Display Chillers .....	23
Upright Display Chillers .....	24
Double Door Upright Display Chillers .....	26
Back Bar Chillers .....	27
<b>Cake Display Cabinets:</b> .....	<b>28</b>
Cake Display Cabinets - Cold .....	29
Heated Display Cabinets .....	31
Counter Top Cold Display Cabinets .....	32
Counter Top Heated Display Cabinets .....	33
<b>Display Freezers:</b> .....	<b>34</b>
Upright Display Freezers .....	35
Flat Glass Chest Freezers .....	36
Curved Glass Chest Freezers .....	38
Ice Cream Freezers with Glass Canopy .....	40
<b>Ice Slicers</b> .....	<b>42</b>
Power Ice Slicers .....	43
<b>Ice Machines &amp; Beverage Dispensers:</b> .....	<b>44</b>
IME Ice Machine Range .....	45
Crathco Beverage Dispensers .....	45
<b>Stainless Steel Benches:</b> .....	<b>46</b>
Work Bench .....	47
Work Bench with Splashback .....	47
Corner Unit .....	47
Stainless Sink - Single Tub .....	48
Stainless Sink - Double Tub .....	48
Wall Mount Shelf .....	49
Overshelf .....	49
Accessories .....	49
<b>Medical Refrigerations</b> .....	<b>50</b>
Medical Refrigerations .....	51
<b>Warranty Against Defects</b> .....	<b>54</b>

# Commercial Kitchen



## Commercial Kitchen: Under Bench Chillers with Solid Doors



USC260H



USC400H



USC550H

### Features:

- Self closing stainless steel doors with integrated handles
- Digital controller and digital temperature display
- Dynamic fan forced cooling system with automatic defrosting
- Stainless steel finish exterior and interior
- Castor wheels
- Climate rating T: ambient temperatures from +16°C to +43°C

Model	USC260H	USC400H	USC550H
<b>Gross volume (L)</b>	314	465	616
<b>Exterior dimensions in mm</b>	1360w x 700d x 830h	1795w x 700d x 830h	2230w x 700d x 830h
<b>Energy consumption in 24h</b>	2 kWh	2.4 kWh	2.8 kWh
<b>Temperature set range</b>	-2°C to +8°C	-2°C to +8°C	-2°C to +8°C
<b>Number of adjustable shelves</b>	2	3	4
<b>Shelf material</b>	plastic coated steel	plastic coated steel	plastic coated steel
<b>Engine compartment lock</b>	yes	yes	yes
<b>Gastronorm pan size</b>	GN1/1	GN1/1	GN1/1
<b>Refrigerant</b>	R134a	R134a	R134a
<b>Gross/net weight</b>	113/98 kg	151/134 kg	173/153 kg
<b>Frequency/voltage</b>	50 Hz/220-240 V	50 Hz/220-240 V	50 Hz/220-240 V



## Commercial Kitchen: Under Bench Chillers with Glass Doors



### Features:

- Self closing double glaze glass doors with integrated handles
- Digital controller and digital temperature display
- Dynamic fan forced cooling system with automatic defrosting
- Stainless steel finish exterior and interior
- Castor wheels
- Climate rating T: ambient temperatures from +16°C to +43°C

Model	USC260G	USC400G	USC550G
<b>Gross volume (L)</b>	314	465	616
<b>Exterior dimensions in mm</b>	1360w x 700d x 830h	1795w x 700d x 830h	2230w x 700d x 830h
<b>Energy consumption in 24h</b>	2 kWh	2.4 kWh	2.8 kWh
<b>Temperature set range</b>	-2°C to +8°C	-2°C to +8°C	-2°C to +8°C
<b>Number of adjustable shelves</b>	2	3	4
<b>Shelf material</b>	plastic coated steel	plastic coated steel	plastic coated steel
<b>Engine compartment lock</b>	yes	yes	yes
<b>Gastronorm pan size</b>	GN1/1	GN1/1	GN1/1
<b>Refrigerant</b>	R134a	R134a	R134a
<b>Gross/net weight</b>	113/98 kg	151/134 kg	173/153 kg
<b>Frequency/voltage</b>	50 Hz/220-240 V	50 Hz/220-240 V	50 Hz/220-240 V



## Commercial Kitchen: Under Bench Freezers with Solid Doors



### Features:

- Self closing stainless steel doors with integrated handles
- Digital controller and digital temperature display
- Dynamic fan forced cooling system with automatic defrosting
- Stainless steel finish exterior and interior
- Castor wheels
- Climate rating T: ambient temperatures from +16°C to +43°C



Model	USF260H	USF400H	USF550H
<b>Gross volume (L)</b>	314	465	616
<b>Exterior dimensions in mm</b>	1360w x 700d x 830h	1795w x 700d x 830h	2230w x 700d x 830h
<b>Energy consumption in 24h</b>	5 kWh	7 kWh	9.6 kWh
<b>Temperature set range</b>	-18°C to -22°C	-18°C to -22°C	-18°C to -22°C
<b>Number of adjustable shelves</b>	2	3	4
<b>Shelf material</b>	plastic coated steel	plastic coated steel	plastic coated steel
<b>Engine compartment lock</b>	yes	yes	yes
<b>Gastronorm pan size</b>	GN1/1	GN1/1	GN1/1
<b>Refrigerant</b>	R404a	R404a	R404a
<b>Gross/net weight</b>	118/103 kg	154/136 kg	175/155 kg
<b>Frequency/voltage</b>	50 Hz/220-240 V	50 Hz/220-240 V	50 Hz/220-240 V



## Commercial Kitchen: Snack Size Under Bench Chillers with Solid Doors



### Features:

- Self closing stainless steel doors with integrated handles
- Digital controller and digital temperature display
- Dynamic fan forced cooling system with automatic defrosting
- Stainless steel finish exterior and interior
- Castor wheels
- Climate rating T: ambient temperatures from +16°C to +43°C

snack  
size cabinets  
- 600mm  
depth

Model	SSC260H	SSC400H	SSC550H
<b>Gross volume (L)</b>	260	386	511
<b>Exterior dimensions in mm</b>	1360w x 600d x 830h	1795w x 600d x 830h	2230w x 600d x 830h
<b>Energy consumption in 24h</b>	2 kWh	2.4 kWh	2.8 kWh
<b>Temperature set range</b>	-2°C to +8°C	-2°C to +8°C	-2°C to +8°C
<b>Number of adjustable shelves</b>	2	3	4
<b>Shelf material</b>	plastic coated steel	plastic coated steel	plastic coated steel
<b>Engine compartment lock</b>	yes	yes	yes
<b>Refrigerant</b>	R134a	R134a	R134a
<b>Gross/net weight</b>	103/88 kg	145/125 kg	163/143 kg
<b>Frequency/voltage</b>	50 Hz/220-240 V	50 Hz/220-240 V	50 Hz/220-240 V



## Commercial Kitchen: Snack Size Under Bench Chillers with Glass Doors



### Features:

- Self closing double glaze glass doors with integrated handles
- Digital controller and digital temperature display
- Dynamic fan forced cooling system with automatic defrosting
- Stainless steel finish exterior and interior
- Castor wheels
- Climate rating T: ambient temperatures from +16°C to +43°C

snack  
size cabinets  
- 600mm  
depth

Model	SSC260G	SSC400G	SSC550G
<b>Gross volume (L)</b>	260	386	511
<b>Exterior dimensions in mm</b>	1360w x 600d x 830h	1795w x 600d x 830h	2230w x 600d x 830h
<b>Energy consumption in 24h</b>	2 kWh	2.4 kWh	2.8 kWh
<b>Temperature set range</b>	-2°C to +8°C	-2°C to +8°C	-2°C to +8°C
<b>Number of adjustable shelves</b>	2	3	4
<b>Shelf material</b>	plastic coated steel	plastic coated steel	plastic coated steel
<b>Engine compartment lock</b>	yes	yes	yes
<b>Refrigerant</b>	R134a	R134a	R134a
<b>Gross/net weight</b>	103/88 kg	145/125 kg	163/143 kg
<b>Frequency/voltage</b>	50 Hz/220-240 V	50 Hz/220-240 V	50 Hz/220-240 V



## Commercial Kitchen: Snack Size Under Bench Freezers with Solid Doors



SSF260H

SSF400H



snack  
size cabinets  
- 600mm  
depth

### Features:

- Self closing stainless steel doors with integrated handles
- Digital controller and digital temperature display
- Dynamic fan forced cooling system with automatic defrosting
- Stainless steel finish exterior and interior
- Castor wheels
- Climate rating T: ambient temperatures from +16°C to +43°C

Model	SSF260H	SSF400H
<b>Gross volume (L)</b>	260	386
<b>Exterior dimensions in mm</b>	1360w x 600d x 830h	1795w x 600d x 830h
<b>Energy consumption in 24h</b>	5 kWh	7 kWh
<b>Temperature set range</b>	-18°C to -22°C	-18°C to -22°C
<b>Number of adjustable shelves</b>	2	3
<b>Shelf material</b>	plastic coated steel	plastic coated steel
<b>Engine compartment lock</b>	yes	yes
<b>Refrigerant</b>	R404a	R404a
<b>Gross/net weight</b>	110/95 kg	153/135 kg
<b>Frequency/voltage</b>	50 Hz/220-240 V	50 Hz/220-240 V



## Commercial Kitchen: Single Door Under Bench Chillers and Freezers



MC200H

MC200G

MF200H



### Features:

- Lockable door with integrated handle
- Digital temperature display and analog controller
- Stainless steel finish exterior and white aluminium finish interior
- Adjustable feet
- Climate rating N: ambient temperatures from +16°C to +32°C

Model	MC200H	MC200G	MF200H
<b>Gross volume (L)</b>	140	140	140
<b>Exterior dimensions in mm</b>	600w x 615d x 845h	600w x 615d x 845h	600w x 615d x 845h
<b>Energy consumption in 24h</b>	2 kWh	2 kWh	3 kWh
<b>Temperature set range</b>	0°C to +10°C	0°C to +10°C	-10°C to -22°C
<b>Cooling system</b>	dynamic fan assisted	dynamic fan assisted	static
<b>Defrost system</b>	automatic	automatic	manual
<b>Door material</b>	stainless steel	glass	stainless steel
<b>Number of shelves</b>	2 (adjustable)	2 (adjustable)	2 (fixed)
<b>Shelf material</b>	plastic coated steel	plastic coated steel	plastic coated steel
<b>Internal light</b>	no	yes, LED	no
<b>Refrigerant</b>	R134a	R134a	R134a
<b>Gross/net weight</b>	49/44 kg	49/44 kg	52/47 kg
<b>Frequency/voltage</b>	50-60 Hz/220-240 V	50-60 Hz/220-240 V	50-60 Hz/220-240 V



## Commercial Kitchen: Upright Gastronorm Chillers



**GSC650H**



**GSC1410H**

**Features:**

- Lockable self closing stainless steel doors with integrated handles
- Digital controller and digital temperature display
- Dynamic fan forced cooling system with automatic defrosting
- Stainless steel finish exterior and interior
- Castor wheels
- Climate rating T: ambient temperatures from +16°C to +43°C

Model	GSC650H	GSC1410H
<b>Gross volume (L)</b>	685	1476
<b>Exterior dimensions in mm</b>	740w x 830d x 2010h	1480w x 830d x 2010h
<b>Energy consumption in 24h</b>	0.82 kWh	3.75 kWh
<b>Temperature set range</b>	-2°C to +8°C	-2°C to +8°C
<b>Number of adjustable shelves</b>	5	10
<b>Shelf material</b>	plastic coated steel	plastic coated steel
<b>Gastronorm pan size</b>	GN2/1	GN2/1
<b>Refrigerant</b>	R134a	R134a
<b>Gross/net weight</b>	143/134 kg	210/195 kg
<b>Frequency/voltage</b>	50 Hz/220-240 V	50 Hz/220-240 V



## Commercial Kitchen: Upright Gastronorm Chillers with Glass Doors



**GSC650G**



**GSC1410G**

**Features:**

- Lockable self closing glass doors with integrated handles
- Digital controller and digital temperature display
- Dynamic fan forced cooling system with automatic defrosting
- Stainless steel finish exterior and interior
- Castor wheels
- Climate rating T: ambient temperatures from +16°C to +43°C

Model	GSC650G	GSC1410G
<b>Gross volume (L)</b>	685	1476
<b>Exterior dimensions in mm</b>	740w x 830d x 2010h	1480w x 830d x 2010h
<b>Energy consumption in 24h</b>	0.82 kWh	3.75 kWh
<b>Temperature set range</b>	-2°C to +8°C	-2°C to +8°C
<b>Number of adjustable shelves</b>	5	10
<b>Shelf material</b>	plastic coated steel	plastic coated steel
<b>Gastronorm pan size</b>	GN2/1	GN2/1
<b>Refrigerant</b>	R134a	R134a
<b>Gross/net weight</b>	143/134 kg	210/195 kg
<b>Frequency/voltage</b>	50 Hz/220-240 V	50 Hz/220-240 V



## Commercial Kitchen: Upright Gastronorm Chillers with Split Doors



**GSC652H**



**GSC1412H**

Split doors

### Features:

- Lockable self closing stainless steel doors with integrated handles
- Digital controller and digital temperature display
- Dynamic fan forced cooling system with automatic defrosting
- Stainless steel finish exterior and interior
- Castor wheels
- Climate rating T: ambient temperatures from +16°C to +43°C

Model	GSC652H	GSC1412H
<b>Gross volume (L)</b>	685	1476
<b>Exterior dimensions in mm</b>	740w x 830d x 2010h	1480w x 830d x 2010h
<b>Energy consumption in 24h</b>	1.25 kWh	5.75 kWh
<b>Temperature set range</b>	-2°C to +8°C	-2°C to +8°C
<b>Number of adjustable shelves</b>	5	10
<b>Shelf material</b>	plastic coated steel	plastic coated steel
<b>Gastronorm pan size</b>	GN2/1	GN2/1
<b>Refrigerant</b>	R134a	R134a
<b>Gross/net weight</b>	143/134 kg	217/202 kg
<b>Frequency/voltage</b>	50 Hz/220-240 V	50 Hz/220-240 V



## Commercial Kitchen: Upright Gastronorm Freezers



**GSF650H**



**GSF1410H**



### Features:

- Lockable self closing stainless steel doors with integrated handles
- Digital controller and digital temperature display
- Dynamic fan forced cooling system with automatic defrosting
- Stainless steel finish exterior and interior
- Castor wheels
- Climate rating T: ambient temperatures from +16°C to +43°C

Model	GSF650H	GSF1410H
<b>Gross volume (L)</b>	685	1476
<b>Exterior dimensions in mm</b>	740w x 830d x 2010h	1480w x 830d x 2010h
<b>Energy consumption in 24h</b>	2 kWh	4.75 kWh
<b>Temperature set range</b>	-18°C to -22°C	-18°C to -22°C
<b>Number of adjustable shelves</b>	5	10
<b>Shelf material</b>	plastic coated steel	plastic coated steel
<b>Gastronorm pan size</b>	GN2/1	GN2/1
<b>Refrigerant</b>	R404a	R404a
<b>Gross/net weight</b>	147/138 kg	226/208 kg
<b>Frequency/voltage</b>	50 Hz/220-240 V	50 Hz/220-240 V





## Commercial Kitchen: Upright Gastronorm Freezers with Split Doors



**GSF652H**



**GSF1412H**

Split doors



### Features:

- Lockable self closing stainless steel doors with integrated handles
- Digital controller and digital temperature display
- Dynamic fan forced cooling system with automatic defrosting
- Stainless steel finish exterior and interior
- Castor wheels
- Climate rating T: ambient temperatures from +16°C to +43°C

Model	GSF652H	GSF1412H
<b>Gross volume (L)</b>	685	1476
<b>Exterior dimensions in mm</b>	740w x 830d x 2010h	1480w x 830d x 2010h
<b>Energy consumption in 24h</b>	1.45 kWh	6.75 kWh
<b>Temperature set range</b>	-18°C to -22°C	-18°C to -22°C
<b>Number of adjustable shelves</b>	5	10
<b>Shelf material</b>	plastic coated steel	plastic coated steel
<b>Gastronorm pan size</b>	GN2/1	GN2/1
<b>Refrigerant</b>	R404a	R404a
<b>Gross/net weight</b>	147/138 kg	230/210 kg
<b>Frequency/voltage</b>	50 Hz/220-240 V	50 Hz/220-240 V



## Commercial Kitchen: Sandwich / Pizza Preparation Chillers



**MTC360H**



**MTC363H**

### Features:

- Self closing stainless steel doors with integrated handles
- Digital controller and digital temperature display
- Dynamic fan forced cooling system with automatic defrosting
- Stainless steel finish exterior and interior
- Castor Wheels
- Climate rating T: ambient temperatures from +16°C to +43°C

\* catering tubs and tub-lids not included

Model	MTC360H	MTC363H
<b>Gross volume (L)</b>	470	417
<b>Exterior dimensions in mm</b>	1795w x 700d x 1085h	1795w x 700d x 1085h
<b>Energy consumption in 24h</b>	2.4 kWh	2.4 kWh
<b>Temperature set range</b>	+2°C to +8°C	+2°C to +8°C
<b>Number of adjustable shelves</b>	3	3
<b>Shelf material</b>	plastic coated steel	plastic coated steel
<b>Preparation area material</b>	granite	stainless steel
<b>Gastronorm pan size (top)</b>	6 x GN1/3 + 2 x GN1/2	6 x GN1/3 + 2 x GN1/2
<b>Gastronorm pan size (bottom)</b>	GN1/1	GN1/1
<b>Refrigerant</b>	R134a	R134a
<b>Gross/net weight</b>	180/155 kg	180/155 kg
<b>Frequency/voltage</b>	50 Hz/220-240 V	50 Hz/220-240 V



## Commercial Kitchen: Sandwich / Pizza Preparation Chillers



ICC260H

ICC400H

ICC550H

### Features:

- Self closing stainless steel doors with integrated handles
- Digital controller and digital temperature display
- Dynamic fan forced cooling system with automatic defrosting
- Castor wheels
- Climate rating ST: ambient temperatures from +16°C to +38°C

\* catering tubs and tub-lids not included

## Commercial Kitchen: Salad/Noodle Bar Chillers



SBC450H

SBC650H

### Features:

- Self closing stainless steel doors with integrated handles
- Digital controller and digital temperature display
- Dynamic fan forced cooling system with automatic defrosting
- Ventilated air blown over ingredient compartment
- Castor wheels and glass sneeze guard
- Climate rating ST: ambient temperatures from +16°C to +38°C

\* catering tubs and tub-lids not included, glass canopy not assembled

\*\* fridge is not designed to be enclosed in cabinet and required adequate ventilations to perform.

Model	ICC260H	ICC400H	ICC550H
<b>Net volume (L)</b>	251	406	527
<b>Exterior dimensions in mm</b>	735w x 760d x 1100h	1265w x 760d x 1100h	1555w x 760d x 1100h
<b>Energy consumption in 24h</b>	2 kWh	2 kWh	5 kWh
<b>Temperature set range</b>	-2°C to +8°C	-2°C to +8°C	-2°C to +8°C
<b>Number of adjustable shelves</b>	1	2	2
<b>Gastronorm pan size (top)</b>	8 x GN1/6	12 x GN1/6	16 x GN1/6
<b>Shelf material</b>	plastic coated steel	plastic coated steel	plastic coated steel
<b>Refrigerant</b>	R134a	R134a	R134a
<b>Gross/net weight</b>	102/95 kg	146/138 kg	169/159 kg
<b>Frequency/voltage</b>	50 Hz/220-240 V	50 Hz/220-240 V	50 Hz/220-240 V



Model	SBC450H	SBC650H
<b>Net volume (L)</b>	428	635
<b>Exterior dimensions in mm</b>	1500w x 760d x 1320h	1790w x 760d x 1320h
<b>Energy consumption in 24h</b>	2 kWh	5 kWh
<b>Temperature set range</b>	+2°C to +8°C	+2°C to +8°C
<b>Number of adjustable shelves</b>	2	3
<b>Gastronorm pan size (top)</b>	4 x GN1/1	5 x GN1/1
<b>Shelf material</b>	plastic coated steel	plastic coated steel
<b>Engine compartment lock</b>	yes	yes
<b>Refrigerant</b>	R404a	R404a
<b>Gross/net weight</b>	136/120 kg	160/143 kg
<b>Frequency/voltage</b>	50 Hz/220-240 V	50 Hz/220-240 V



## Commercial Kitchen: Ingredient Counter Top Chillers



ICT1200

ICT1500

ICT1800

**Features:**

- Dynamic fan forced cooling system with automatic defrosting
- Digital controller and digital temperature display
- Adjustable legs
- Climate rating ST: ambient temperatures from +16°C to +38°C

\* catering tubs not included, glass canopy not assembled

Model	ICT1200	ICT1500	ICT1800
<b>Exterior dimensions in mm</b>	1200w x 395d x 450h	1500w x 395d x 450h	1800w x 395d x 450h
<b>Energy consumption in 24h</b>	1.3 kWh	1.5 kWh	1.7 kWh
<b>Temperature set range</b>	+2°C to +10°C	+2°C to +10°C	+2°C to +10°C
<b>Number of GN pans</b>	3 x GN1/3 + 1 x GN1/2	5 x GN1/3 + 1 x GN1/2	8 x GN1/3
<b>Maximum GN pans height</b>	150 mm	150 mm	150 mm
<b>Cabinet finish</b>	stainless steel and glass top	stainless steel and glass top	stainless steel and glass top
<b>Refrigerant</b>	R134a	R134a	R134a
<b>Gross/net weight</b>	31.5/28 kg	35.5/31 kg	39.5/34 kg
<b>Frequency/voltage</b>	50 Hz/220-240 V	50 Hz/220-240 V	50 Hz/220-240 V



## Commercial Kitchen: Stainless Steel Top Chest Freezers



ESS550H

ESS650H

ESS750H

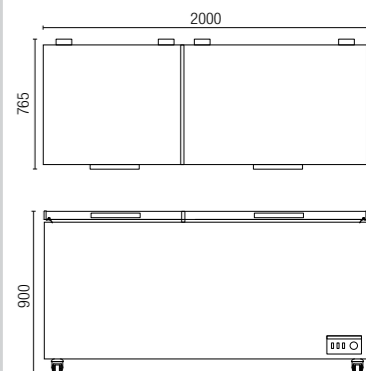
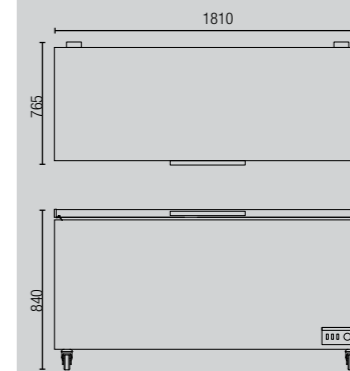
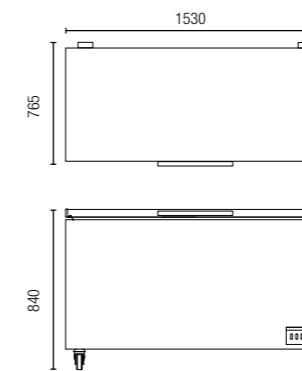
Split doors



**Features:**

- White painted steel body with stainless steel lid
- Aluminium liner material
- Static cooling system with manual defrosting
- Door handle with lock
- Castor wheels
- Climate rating ST: ambient temperatures from +16°C to +38°C

Model	ESS550H	ESS650H	ESS750H
<b>Gross volume (L)</b>	550	650	682
<b>Exterior dimensions in mm</b>	1530w x 765d x 840h	1810w x 765d x 840h	2000w x 765d x 900h
<b>Energy consumption in 24h</b>	1.6 kWh	1.9 kWh	2.5 kWh
<b>Temperature set range</b>	-18°C to -25°C	-18°C to -25°C	-15°C to -25°C
<b>Number of baskets</b>	5	6	6
<b>Basket material</b>	plastic coated steel	plastic coated steel	plastic coated steel
<b>Insulation</b>	75 mm	75 mm	80 mm
<b>Internal light</b>	yes	yes	no
<b>Refrigerant</b>	R134a	R134a	R134a
<b>Gross/net weight</b>	83/75 kg	92/82 kg	90/80 kg
<b>Frequency/voltage</b>	50 Hz/220-240 V	50 Hz/220-240 V	50 Hz/220-240 V



# Display Cabinets



## Display Cabinets: Counter Top Display Chillers



**CTD78**



**CTD78LED**

**Features:**

- Double curved glass door (front and back) for easy stock rotation
- Lockable doors with double handle
- Digital controller and digital temperature display
- Dynamic fan forced cooling system with automatic defrosting
- Available in black or white
- Climate rating N: ambient temperatures from +16°C to +32°C



Double lockable curved doors

available  
Colours:  
Black or  
White

Model	CTD78	CTD78-LED
Gross volume (L)	86	86
Exterior dimensions in mm	425w x 429d x 978h	425w x 429d x 978h
Energy consumption in 24h	1.9 kWh	1.9 kWh
Temperature set range	+2°C to +12°C	+2°C to +12°C
Number of adjustable shelves	3	3
Shelf material	chrome coated steel	chrome coated steel
Internal top light	yes	yes
LED strips on corners	no	yes
Bottom lightbox	no	no
Refrigerant	R134a	R134a
Gross/net weight	39/36.5 kg	39/36.5 kg
Frequency/voltage	50 Hz/220-240 V	50 Hz/220-240 V



## Display Cabinets: Upright Display Chillers



**CTD235 Black**



**CTD235 White**

**Features:**

- Double glazed curved glass door with handle
- Digital controller and digital temperature display
- Dynamic fan forced cooling system with automatic defrosting
- Removable top light box
- Castor wheels
- Climate rating N: ambient temperatures from +16°C to +32°C

Model	CTD235 Black	CTD235 White
<b>Gross volume (L)</b>	235	235
<b>Exterior dimensions in mm</b>	517w x 486d x 1840h	517w x 486d x 1840h
<b>Energy consumption in 24h</b>	5.46 kWh	5.46 kWh
<b>Temperature set range</b>	+2°C to +12°C	+2°C to +12°C
<b>Number of adjustable shelves</b>	4	4
<b>Shelf material</b>	chrome coated steel	chrome coated steel
<b>Internal top light</b>	yes	yes
<b>LED strips on corners</b>	yes	yes
<b>Refrigerant</b>	R134a	R134a
<b>Gross/net weight</b>	80.5/76.4 kg	80.5/76.4 kg
<b>Frequency/voltage</b>	50 Hz/220-240 V	50 Hz/220-240 V

## Display Cabinets: Upright Display Chillers



**DC400P**

**Features:**

- Lockable double glazed door with handle
- Digital controller and digital temperature display
- Dynamic fan forced cooling system with automatic defrosting
- White steel external and internal finish
- LED internal light
- Castor wheels
- Climate rating ST: ambient temperatures from +16°C to +38°C

Model	DC400P
<b>Gross volume (L)</b>	400
<b>Exterior dimensions in mm</b>	606w x 620d x 2000h
<b>Energy consumption in 24h</b>	4 kWh
<b>Temperature set range</b>	0°C to +10°C
<b>Number of adjustable shelves</b>	4
<b>Shelf material</b>	plastic coated steel
<b>Refrigerant</b>	R134a
<b>Gross/net weight</b>	98/83 kg
<b>Frequency/voltage</b>	50 Hz/230-240 V

## Display Cabinets: Double Door Upright Display Chillers



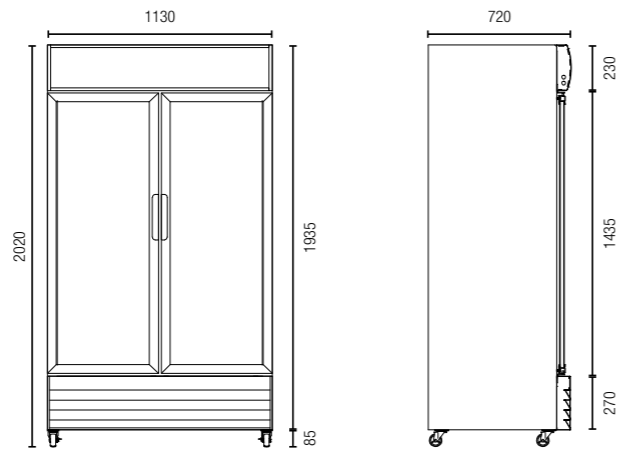
**DC1000P**

**Features:**

- Lockable double glazed doors with handles
- Digital controller and digital temperature display
- Dynamic fan forced cooling system with automatic defrosting
- White steel external and internal finish
- LED internal light
- Castor wheels
- Climate rating ST: ambient temperatures from +16°C to +38°C

Model	DC1000P
-------	---------

Gross volume (L)	1000
Exterior dimensions in mm	1130w x 720d x 2020h
Energy consumption in 24h	5.6 kWh
Temperature set range	0°C to +10°C
Number of adjustable shelves	8
Shelf material	plastic coated steel
Refrigerant	R134a
Gross/net weight	175/155 kg
Frequency/voltage	50 Hz/220-240 V



## Display Cabinets: Back Bar Chillers



**UBC140**



**UBC210**



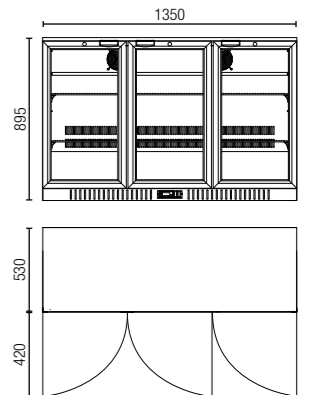
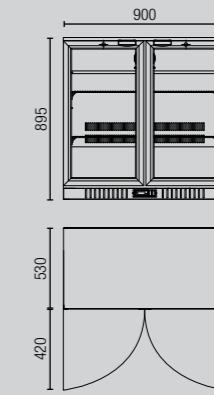
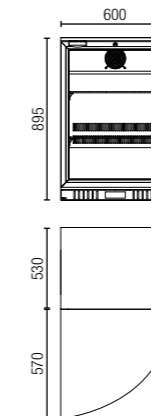
**UBC330**

**Features:**

- Lockable double glazed glass doors with handle
- Digital controller and digital temperature display
- Dynamic fan forced cooling system with automatic defrosting
- Black steel external finish and aluminium internal finish
- LED internal light
- Climate rating ST: ambient temperatures from +16°C to +38°C

Model	UBC140	UBC210	UBC330
-------	--------	--------	--------

Gross volume (L)	138	208	330
Exterior dimensions in mm	600w x 530d x 895h	900w x 530d x 895h	1350w x 530d x 895h
Energy consumption in 24h	1.3 kWh	1.8 kWh	2.1 kWh
Temperature set range	0°C to +10°C	0°C to +10°C	0°C to +10°C
Number of adjustable shelves	2	4	6
Shelf material	chrome coated wire	chrome coated wire	chrome coated wire
Refrigerant	R134a	R134a	R134a
Gross/net weight	47/43 kg	65/59 kg	84/80 kg
Frequency/voltage	50 Hz/220-240 V	50 Hz/220-240 V	50 Hz/220-240 V



# Cake Display Cabinets



## Cake Display Cabinets: Cake Display Cabinets - Cold



**CDC900**

**CDC1200**

**CDC1500**

**Features:**

- Digital temperature display and electronic controller
- Dynamic fan forced cooling system with auto defrosting
- Triple layer glass for maximum insulation
- 304 grade stainless steel external structure
- Auto defogging by heated glass
- Sliding door for easy access
- LED internal light
- Climate rating N: ambient temperatures from +16°C to +32°C

Model	CDC900	CDC1200	CDC1500
<b>Gross volume (L)</b>	387	534	680
<b>Exterior dimensions in mm</b>	900w x 700d x 1350h	1200w x 700d x 1350h	1500w x 700d x 1350h
<b>Energy consumption in 24h</b>	8.62 kWh	12.47 kWh	17.38 kWh
<b>Temperature set range</b>	+2°C to +6°C	+2°C to +6°C	+2°C to +6°C
<b>Number of adjustable shelves</b>	3	3	3
<b>Shelf material</b>	glass	glass	glass
<b>Refrigerant</b>	R134a	R134a	R404a
<b>Gross/net weight</b>	247/200 kg	311/260 kg	345/290 kg
<b>Frequency/voltage</b>	50 Hz/220-240 V	50 Hz/220-240 V	50 Hz/220-240 V



## Cake Display Cabinets: Cake Display Cabinets - Cold



**CDC902**



**CDC1202**



**CDC1502**

**Features:**

- Digital temperature display and electronic controller
- Dynamic fan forced cooling system with auto defrosting
- Triple layer glass for maximum insulation
- 304 grade stainless steel external structure
- Auto defogging by heated glass
- Sliding door for easy access
- LED internal light
- Climate rating N: ambient temperatures from +16°C to +32°C

Model	CDC902	CDC1202	CDC1502
<b>Gross volume (L)</b>	320	440	562
<b>Exterior dimensions in mm</b>	900w x 700d x 1200h	1200w x 700d x 1200h	1500w x 700d x 1200h
<b>Energy consumption in 24h</b>	7.73 kWh	8.51 kWh	9.21 kWh
<b>Temperature set range</b>	0°C to +8°C	0°C to +8°C	0°C to +8°C
<b>Number of adjustable shelves</b>	2	2	2
<b>Shelf material</b>	glass	glass	glass
<b>Refrigerant</b>	R134a	R134a	R134a
<b>Gross/net weight</b>	237/190 kg	301/250 kg	335/280 kg
<b>Frequency/voltage</b>	50 Hz/220-240 V	50 Hz/220-240 V	50 Hz/220-240 V



## Cake Display Cabinets: Heated Display Cabinets



**CDW900**



**CDW1200**

**Features:**

- Digital temperature display and electronic controller
- Ventilated system by fan
- Triple layer glass for maximum insulation
- 304 grade stainless steel external structure
- Auto defogging by heated glass
- Sliding door for easy access
- Internal light

Model	CDW900	CDW1200
<b>Gross volume (L)</b>	387	534
<b>Exterior dimensions in mm</b>	900w x 700d x 1350h	1200w x 700d x 1350h
<b>Energy consumption in 24h</b>	6.5 kWh	7.5 kWh
<b>Temperature set range</b>	+35°C to +75°C	+35°C to +75°C
<b>Number of adjustable shelves</b>	3	3
<b>Shelf material</b>	stainless steel	stainless steel
<b>Gross/net weight</b>	237/190 kg	301/250 kg
<b>Frequency/voltage</b>	50 Hz/220-240 V	50 Hz/220-240 V





## Cake Display Cabinets: Counter Top Cold Display Cabinets



**CTC120**



**CTC160**

**Features:**

- Digital temperature display and electronic controller
- Dynamic fan forced cooling system
- Sliding door for easy access
- Top LED internal light
- Climate rating N: ambient temperatures from +16°C to +32°C

Model	CTC120	CTC160
<b>Gross volume (L)</b>	120	160
<b>Exterior dimensions in mm</b>	710w x 575d x 686h	890w x 575d x 686h
<b>Energy consumption in 24h</b>	2.75 kWh	2.85 kWh
<b>Temperature set range</b>	0°C to +12°C	0°C to +12°C
<b>Number of adjustable shelves</b>	2	2
<b>Shelf material</b>	chrome plated	chrome plated
<b>Refrigerant</b>	R600a	R600a
<b>Gross/net weight</b>	66/64 kg	74/71 kg
<b>Frequency/voltage</b>	50 Hz/220-240 V	50 Hz/220-240 V



## Cake Display Cabinets: Counter Top Heated Display Cabinets



**CTW120**



**CTW160**

**Features:**

- Analog temperature display and mechanical controller
- Sliding door for easy access
- Top LED internal light
- Heating element heating system

Model	CTW120	CTW160
<b>Gross volume (L)</b>	120	160
<b>Exterior dimensions in mm</b>	690w x 585d x 690h	867w x 585d x 690h
<b>Energy consumption in 24h</b>	2.77 kWh	2.87 kWh
<b>Temperature set range</b>	+30°C to +90°C	+30°C to +90°C
<b>Number of adjustable shelves</b>	3	3
<b>Shelf material</b>	chrome plated	chrome plated
<b>Gross/net weight</b>	50/48 kg	58/56 kg
<b>Frequency/voltage</b>	50 Hz/220-240 V	50 Hz/220-240 V



# Display Freezers



## Display Freezers: Upright Display Freezers



**SD370W**

**Features:**

- Digital controller and digital temperature display
- Dynamic fan forced cooling system with automatic defrosting
- Self closing door with handle and lock
- U-shape steel spacer at rear (45mm) for ventilation purpose
- Heated triple layer glass door
- Climate rating N: ambient temperatures from +16°C to +32°C

Model	SD370W
Gross volume (L)	370
Exterior dimensions in mm	660w x 663d x 2110h
Energy consumption in 24h	9.8 kWh
Temperature	≤-18°C
Number of adjustable shelves	5 +1 base
Shelf material	plastic coated steel
Internal light	two vertical inner light
Castors	4 roller wheels + 2 adjustable stabilisers
Top light box	yes
Lightbox dimension in mm	660w x 300h
Refrigerant	R404A
Gross/net weight	125/116 kg
Frequency/voltage	50 Hz/220-240 V



## Display Freezers: Flat Glass Chest Freezers



**SD250**



**SD350**

### Features:

- Digital temperature display and analog controller
- Static cooling system
- Sliding flat glass doors with lock
- Removable rubber bumper on the engine side (30mm) for ventilation purpose
- Powder coated steel exterior dan interior
- Climate rating ST: ambient temperatures from +16°C to +38°C

Model	SD250	SD350
<b>Gross volume (L)</b>	209	315
<b>Exterior dimensions in mm</b>	800w x 694d x 830h	1104w x 694d x 830h
<b>Energy consumption in 24h</b>	1.8 kWh	2.65 kWh
<b>Temperature</b>	≤-18°C	≤-18°C
<b>Number of baskets</b>	2	3
<b>Basket material</b>	plastic coated steel	plastic coated steel
<b>Castors</b>	yes	yes
<b>Refrigerant</b>	R134a	R134a
<b>Insulation</b>	70mm	70mm
<b>Gross/net weight</b>	59/53 kg	70/64 kg
<b>Frequency/voltage</b>	50 Hz/220-240 V	50 Hz/220-240 V



## Display Freezers: Flat Glass Chest Freezers



**SD450**



**SD650**

### Features:

- Digital temperature display and analog controller
- Static cooling system
- Sliding flat glass doors with lock
- Removable rubber bumper on the engine side (30mm) for ventilation purpose
- Powder coated steel exterior dan interior
- Climate rating ST: ambient temperatures from +16°C to +38°C

Model	SD450	SD650
<b>Gross volume (L)</b>	390	566
<b>Exterior dimensions in mm</b>	1314w x 694d x 830h	1799w x 694d x 830h
<b>Energy consumption in 24h</b>	3.25 kWh	4.6 kWh
<b>Temperature</b>	≤-18°C	≤-18°C
<b>Number of baskets</b>	4	5
<b>Basket material</b>	plastic coated steel	plastic coated steel
<b>Castors</b>	yes	yes
<b>Refrigerant</b>	R134a	R404a
<b>Insulation</b>	70mm	70mm
<b>Gross/net weight</b>	81/73 kg	99/89 kg
<b>Frequency/voltage</b>	50 Hz/220-240 V	50 Hz/220-240 V



## Display Freezers: Curved Glass Chest Freezers



**SD151**



**SD271**

**Features:**

- Digital temperature display and analog controller
- Static cooling system
- Sliding curved glass doors with lock
- Removable rubber bumper on the engine side (30mm) for ventilation purpose
- Powder coated steel exterior dan interior
- Climate rating ST: ambient temperatures from +16°C to +38°C

Model	SD151	SD271
<b>Gross volume (L)</b>	151	271
<b>Exterior dimensions in mm</b>	584w x 694d x 850h	944w x 694d x 850h
<b>Energy consumption in 24h</b>	1.6 kWh	1.8 kWh
<b>Temperature</b>	≤-18°C	≤-18°C
<b>Number of baskets</b>	2	3
<b>Basket material</b>	plastic coated steel	plastic coated steel
<b>Castors</b>	yes	yes
<b>Refrigerant</b>	R134a	R134a
<b>Insulation</b>	70mm	80mm
<b>Gross/net weight</b>	55/48 kg	63/55 kg
<b>Frequency/voltage</b>	50 Hz/220-240 V	50 Hz/220-240 V



## Display Freezers: Curved Glass Chest Freezers



**SD361**



**SD511**

**Features:**

- Digital temperature display and analog controller
- Static cooling system
- Sliding curved glass doors with lock
- Removable rubber bumper on the engine side (30mm) for ventilation purpose
- Powder coated steel exterior dan interior
- Climate rating ST: ambient temperatures from +16°C to +38°C

Model	SD361	SD511
<b>Gross volume (L)</b>	361	511
<b>Exterior dimensions in mm</b>	1204w x 694d x 850h	1509w x 694d x 850h
<b>Energy consumption in 24h</b>	2.2 kWh	3.2 kWh
<b>Temperature</b>	≤-18°C	≤-18°C
<b>Number of baskets</b>	4	5
<b>Basket material</b>	plastic coated steel	plastic coated steel
<b>Castors</b>	yes	yes
<b>Refrigerant</b>	R134a	R134a
<b>Insulation</b>	80mm	80mm
<b>Gross/net weight</b>	79/69 kg	95/80 kg
<b>Frequency/voltage</b>	50 Hz/220-240 V	50 Hz/220-240 V



## Display Freezers: Ice Cream Freezers with Glass Canopy



SD235S2



SD325S2

### Features:

- Digital temperature display and analog controller
- Static cooling system
- Sliding curved glass doors with lock
- Removable rubber bumper on the engine side (30mm) for ventilation purpose
- Powder coated steel exterior dan interior
- Front light box and internal LED lights
- Climate rating ST: ambient temperatures from +16°C to +38°C



transparent front panel for lightbox with LED lights

Rear door for easy storage access



## Display Freezers: Ice Cream Freezers with Glass Canopy



SD415S2



SD575S2

### Features:

- Digital temperature display and analog controller
- Static cooling system
- Sliding curved glass doors with lock
- Removable rubber bumper on the engine side (30mm) for ventilation purpose
- Powder coated steel exterior dan interior
- Front light box and internal LED lights
- Climate rating ST: ambient temperatures from +16°C to +38°C



transparent front panel for lightbox with LED lights

Rear door for easy storage access



Model	SD235S2	SD325S2
<b>Gross volume (L)</b>	235	325
<b>Exterior dimensions in mm</b>	836w x 838d x 1245h	1080w x 838d x 1245h
<b>Energy consumption in 24h</b>	1.8 kWh	2.3 kWh
<b>Temperature</b>	≤-18°C	≤-18°C
<b>Number 5L tubs</b>	4	6
<b>Tubs</b>	<b>yes</b> , stainless steel	<b>yes</b> , stainless steel
<b>Castors</b>	yes	yes
<b>Rear access door</b>	no	yes
<b>Refrigerant</b>	R134a	R134a
<b>Insulation</b>	70mm	70mm
<b>Gross/net weight</b>	108/82 kg	138/109 kg
<b>Frequency/voltage</b>	50 Hz/220-240 V	50 Hz/220-240 V



Model	SD415S2	SD575S2
<b>Gross volume (L)</b>	415	575
<b>Exterior dimensions in mm</b>	1350w x 838d x 1245h	1720w x 838d x 1245h
<b>Energy consumption in 24h</b>	3.1 kWh	4.5 kWh
<b>Temperature</b>	≤-18°C	≤-18°C
<b>Number 5L tubs</b>	9	12
<b>Tubs material</b>	<b>yes</b> , stainless steel	<b>yes</b> , stainless steel
<b>Castors</b>	yes	yes
<b>Rear access door</b>	yes	yes
<b>Refrigerant</b>	R134a	R404a
<b>Insulation</b>	70mm	70mm
<b>Gross/net weight</b>	162/123 kg	199/152 kg
<b>Frequency/voltage</b>	50 Hz/220-240 V	50 Hz/220-240 V



# Ice Slicers

## Ice Slicers: Power Ice Slicers



**WI303**

### Features:

- ABS thermoplastic finish
- High grade stainless steel slicing chamber
- Mechanical slicing system with adjustable ice roughness
- Drain hose and dripping tray included
- Switch button control operation

Model	WI303
Slicing capacity	5 kg/min
Exterior dimensions in mm	330w x 400d x 470h
Operation current	1.2 A
Start-up current	3.4 A
Net weight	17.4 kg
Frequency/voltage	50 Hz/220-240 V

# Ice Machines & Beverage Dispensers



## IME Ice Machine Range



reversible stainless steel door

**IME50**

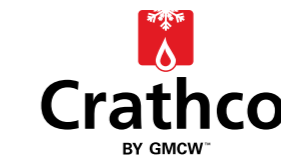
**Features:**

- Produce crystal clear ice
- Air cooler condenser
- Automatic overflow prevention
- Integrated door handle
- Suitable for free-standing or built in underbench application
- Height adjustable feet for leveling
- Climate rating SN: ambient temperatures from +10°C to +32°C

Model	IME50
Maximum daily ice production	23 kg
Exterior dimensions in mm	370w x 600d x 851h
Power consumption/100 lbs of ice	13.2 kWh
Storage capacity	12 kg
Ice type	cube
Ice cube size in mm	19 x 19 x 25
Cabinet finish	black steel, stainless steel
Refrigerant	R134a
Gross/net weight	42/38 kg
Frequency/voltage	50 Hz/220-240V



## Crathco Beverage Dispensers



**D155-3**

**Features:**

- Stainless steel finish
- Easy clean stainless steel evaporator surface
- Super-strong polycarbonate bowl and cover for lasting durability
- Unique evaporator and high efficiency pump cools faster and more efficient for faster start-ups

Model	D155-3
Number of bowls	1
Bowl capacity (gallons)	5
Bowl capacity (L)	18.9
Exterior dimensions in mm	260w x 400d x 690h
Cup height (mm)	203
Weight	20.4 kg
Refrigerant	R134a
Frequency/voltage	50 Hz/220-240V



# Stainless Steel Benches

Exquisite Stainless offers stainless modular benching solution with highest quality material. Supplied as easy to self assembled flat pack and comply with Australian standard in hospitality industry.

## WORKBENCH



- Workbench available in 600mm and 700mm depth
- 1.2mm thick 304 grade stainless steel top with hat channel underneath
- 1.2mm thick 304 grade stainless steel undershelf
- 1.2mm thick 304 grade stainless steel legs
- Plastic bullet feet with stainless steel clad

MODEL	Dimension in mm	MODEL	Dimension in mm
WB6-900	900w x 600d x 900h	WB7-900	900w x 700d x 900h
WB6-1200	1200w x 600d x 900h	WB7-1200	1200w x 700d x 900h
WB6-1500	1500w x 600d x 900h	WB7-1500	1500w x 700d x 900h
WB6-1800	1800w x 600d x 900h	WB7-1800	1800w x 700d x 900h
WB6-2100	2100w x 600d x 900h	WB7-2100	2100w x 700d x 900h

## WORKBENCH WITH SPLASHBACK



- Workbench available in 600mm and 700mm depth
- Splashback height: 150mm, angled profile splashback
- 1.2mm thick 304 grade stainless steel top with hat channel underneath
- 1.2mm thick 304 grade stainless steel undershelf
- 1.2mm thick 304 grade stainless steel legs
- Plastic bullet feet with stainless steel clad

MODEL	Dimension in mm	MODEL	Dimension in mm
WBS6-400	400w x 600d x 900h	WBS7-400	400w x 700d x 900h
WBS6-500	500w x 600d x 900h	WBS7-500	500w x 700d x 900h
WBS6-600	600w x 600d x 900h	WBS7-600	600w x 700d x 900h
WBS6-900	900w x 600d x 900h	WBS7-900	900w x 700d x 900h
WBS6-1200	1200w x 600d x 900h	WBS7-1200	1200w x 700d x 900h
WBS6-1500	1500w x 600d x 900h	WBS7-1500	1500w x 700d x 900h
WBS6-1800	1800w x 600d x 900h	WBS7-1800	1800w x 700d x 900h
WBS6-2100	2100w x 600d x 900h	WBS7-2100	2100w x 700d x 900h

## CORNER UNIT



- Suitable for 600mm and 700mm depth workbench
- Splashback height: 150mm, angled profile splashback
- 1.2mm thick 304 grade stainless steel top with hat channel underneath
- 1.2mm thick 304 grade stainless steel undershelf
- 1.2mm thick 304 grade stainless steel legs
- Plastic bullet feet with stainless steel clad

MODEL	Dimension in mm
CUS600	600w x 600d x 900h
CUS700	700w x 700d x 900h



## STAINLESS SINK - SINGLE TUB

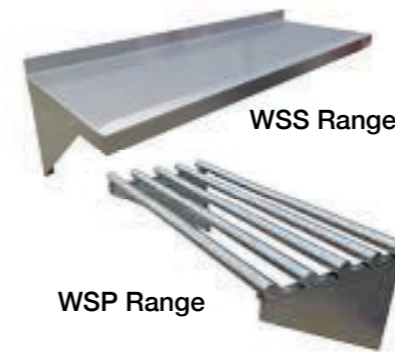


- Stainless sink available in 600mm and 700mm depth
- Splashback height: 150mm, angled profile splashback
- Tub size for 600mm depth: 450w x 450d x 300h mm, 700mm depth: 500w x 500d x 300h mm
- Available with tub on left, right or centre
- 1.2mm thick 304 grade stainless steel top with hat channel underneath
- 1.2mm thick 304 grade stainless steel undershelf
- 1.2mm thick 304 grade stainless steel legs
- Sink hole diameter 90mm
- Plastic bullet feet with stainless steel clad

MODEL	Dimension in mm
SS6-1200L	1200w x 600d x 900h
SS6-1200C	1200w x 600d x 900h
SS6-1200R	1200w x 600d x 900h
SS6-1500L	1500w x 600d x 900h
SS6-1500C	1500w x 600d x 900h
SS6-1500R	1500w x 600d x 900h
SS6-1800L	1800w x 600d x 900h
SS6-1800C	1800w x 600d x 900h
SS6-1800R	1800w x 600d x 900h

MODEL	Dimension in mm
SS7-1200L	1200w x 700d x 900h
SS7-1200C	1200w x 700d x 900h
SS7-1200R	1200w x 700d x 900h
SS7-1500L	1500w x 700d x 900h
SS7-1500C	1500w x 700d x 900h
SS7-1500R	1500w x 700d x 900h
SS7-1800L	1800w x 700d x 900h
SS7-1800C	1800w x 700d x 900h
SS7-1800R	1800w x 700d x 900h

## WALL MOUNT SHELF



- 1.2mm thick 304 grade stainless steel
- Available in flat sheet or tubular options
- Tubular option come with 2.54cm diameter tubing

MODEL	Dimension in mm
WSS-900	900w x 300d x 250h
WSS-1200	1200w x 300d x 250h
WSS-1500	1500w x 300d x 250h
WSS-1800	1800w x 300d x 250h

MODEL	Dimension in mm
WSP-900	900w x 300d x 250h
WSP-1200	1200w x 300d x 250h
WSP-1500	1500w x 300d x 250h
WSP-1800	1800w x 300d x 250h

## OVERSHELF



- 1.2mm thick 304 grade stainless overshelf
- 1.2mm thick 304 grade stainless steel legs
- Stainless steel bolts
- Available in single tier or double tier shelf

MODEL	Dimension in mm
OS1-1200	1200w x 300d x 450h
OS1-1500	1500w x 300d x 450h
OS1-1800	1800w x 300d x 450h

MODEL	Dimension in mm
OS2-1200	1200w x 300d x 800h
OS2-1500	1500w x 300d x 800h
OS2-1800	1800w x 300d x 800h

## STAINLESS SINK - DOUBLE TUB



- Stainless sink available in 600mm and 700mm depth
- Splashback height: 150mm, angled profile splashback
- Tub size for 600mm depth: 450w x 450d x 300h mm, 700mm depth: 500w x 500d x 300h mm
- Available with tubs on left, right or centre
- 1.2mm thick 304 grade stainless steel top with hat channel underneath
- 1.2mm thick 304 grade stainless steel undershelf
- 1.2mm thick 304 grade stainless steel legs
- Sink hole diameter 90mm
- Plastic bullet feet with stainless steel clad

MODEL	Dimension in mm
SD6-1200L	1200w x 600d x 900h
SD6-1200C	1200w x 600d x 900h
SD6-1200R	1200w x 600d x 900h
SD6-1500L	1500w x 600d x 900h
SD6-1500C	1500w x 600d x 900h
SD6-1500R	1500w x 600d x 900h
SD6-1800L	1800w x 600d x 900h
SD6-1800C	1800w x 600d x 900h
SD6-1800R	1800w x 600d x 900h

MODEL	Dimension in mm
SD7-1200L	1200w x 700d x 900h
SD7-1200C	1200w x 700d x 900h
SD7-1200R	1200w x 700d x 900h
SD7-1500L	1500w x 700d x 900h
SD7-1500C	1500w x 700d x 900h
SD7-1500R	1500w x 700d x 900h
SD7-1800L	1800w x 700d x 900h
SD7-1800C	1800w x 700d x 900h
SD7-1800R	1800w x 700d x 900h

## ACCESSORIES



### LEC4 - CASTOR LEGS (4PCS SET)

- 304 grade stainless steel 2.54cm diameter tubing
- 5" Polyurethane expanding stem castor (2 with brake)
- 900mm height for workable surface.

### U SHAPE LEG BRACING

- 304 grade stainless steel 2.54cm diameter tubing



MODEL	For Model
LBW6-900	WB6-900 & WBS6-900
LBW6-1200	WB6-1200 & WBS6-1200
LBW6-1500	WB6-1500 & WBS6-1500
LBW6-1800	WB6-1800 & WBS6-1800
LBW6-2100	WB6-2100 & WBS6-2100
LBW7-900	WB7-900 & WBS7-900
LBW7-1200	WB7-1200 & WBS7-1200
LBW7-1500	WB7-1500 & WBS7-1500
LBW7-1800	WB7-1800 & WBS7-1800
LBW7-2100	WB7-2100 & WBS7-1800

MODEL	For Model
LBC600	CUS600
LBC700	CUS700
LBS6-1200	Sink 600d -1200w
LBS6-1500	Sink 600d -1500w
LBS6-1800	Sink 600d -1800w
LBS7-1200	Sink 700d -1200w
LBS7-1500	Sink 700d -1500w
LBS7-1800	Sink 700d -1800w

# Medical Refrigerations

## Medical Refrigerations

Exquisite Australia Vaccine refrigeration range has been specifically selected to suit Australian vaccine needs. Over the last few years we have listened to all requests and delivered on what was deemed necessary to assist in making your Pharmacy or Clinic run with ease.

### Key Features



# Medical Refrigerations



**MV30**



**MV60**

**Features:**

- Double glazed glass door
- White External and Interior Finish
- Leveling adjustable feet
- QCPP approved
- Internal LED light
- Digital controller with digital temperature display and USB port for data collection
- Dynamic fan forced cooling system with automatic defrosting
- Battery backup controller
- Climate rating N: ambient temperatures from +16°C to +32°C

# Medical Refrigerations



**MV150**



**MV300**



**MV400**

**Features:**

- Double glazed glass door
- White External and Interior Finish
- Leveling adjustable feet
- QCPP approved
- Internal LED light
- Digital controller with digital temperature display and USB port for data collection
- Dynamic fan forced cooling system with automatic defrosting
- Battery backup controller
- Climate rating N: ambient temperatures from +16°C to +32°C

Model	MV30	MV60
<b>Gross/Net volume (L)</b>	30/29	62/59
<b>Exterior dimensions in mm</b>	445w x 485d x 535h	445w x 485d x 725h
<b>Energy consumption in 24h</b>	0.8 kWh	0.8 kWh
<b>Temperature range</b>	+2°C to +8°C	+2°C to +8°C
<b>Number of adjustable shelves</b>	2	3
<b>Shelf material</b>	white plastic coated steel	white plastic coated steel
<b>Refrigerant</b>	R134a	R134a
<b>Gross/net weight</b>	29/27 kg	33/31 kg
<b>Frequency/voltage</b>	50 Hz/220-240 V	50 Hz/220-240 V
<b>Max. noise level</b>	50	50

Model	MV150	MV300	MV400
<b>Gross/Net volume (L)</b>	148/145	308/300	408/400
<b>Exterior dimensions in mm</b>	595w x 595d x 820h	595w x 650d x 1500h	595w x 695d x 1845h
<b>Energy consumption in 24h</b>	1.35 kWh	2.9 kWh	3.1 kWh
<b>Temperature range</b>	+2°C to +8°C	+2°C to +8°C	+2°C to +8°C
<b>Number of adjustable shelves</b>	3	5	5
<b>Shelf material</b>	white plastic coated steel	white plastic coated steel	white plastic coated steel
<b>Refrigerant</b>	R134a	R134a	R134a
<b>Gross/net weight</b>	45/42 kg	78/72 kg	92/84 kg
<b>Frequency/voltage</b>	50 Hz/220-240 V	50 Hz/220-240 V	50 Hz/220-240 V
<b>Max. noise level</b>	50	55	65

# Warranty Against Defects

Exquisite Marketing Australia Pty. Ltd. (A.C.N. 108 843 054) of Unit 5, 6 Garden Road, Clayton VIC 3168 Australia (Phone: (03) 9561 1595; Email: sales@exquisiteast.com.au) (“**Exquisite**”) warrants to the original purchaser (“**Customer**”) who has purchased any of its following products (“**Product**”) that they will be free from defects in workmanship and material for their respective periods as set out below from and including the date of invoice (“**Warranty Period**”). It is, however, expressly agreed that to the extent permitted by law, Exquisite is not liable for any indirect or consequential loss, loss of profit or any other economic loss arising from any defects covered by the Warranty. Our goods come with guarantees that cannot be excluded under the Australian Consumer Law. You are entitled to a replacement or refund for a major failure and compensation for any other reasonably foreseeable loss or damage. You are also entitled to have the goods repaired or replaced if the goods fail to be of acceptable quality and the failure does not amount to a major failure.

**Exquisite Under Bench Chillers with Solid Doors** - Twenty four (24) months\* for materials and workmanship

**Exquisite Under Bench Chillers with Glass Doors** - Twenty four (24) months\* for materials and workmanship

**Exquisite Under Bench Freezers with Solid Doors** - Twenty four (24) months\* for materials and workmanship

**Exquisite Snack Size Under Bench Chillers with Solid Doors** - Twenty four (24) months\* for materials and workmanship

**Exquisite Snack Size Under Bench Chillers with Glass Doors** - Twenty four (24) months\* for materials and workmanship

**Exquisite Snack Size Under Bench Freezers with Solid Doors** - Twenty four (24) months\* for materials and workmanship

**Exquisite Single Door Under Bench Chillers and Freezers** - Twelve (12) months for materials and workmanship

**Exquisite Upright Gastronorm Chillers** - Twenty four (24) months\* for materials and workmanship

**Exquisite Upright Gastronorm Chillers with Glass Doors** - Twenty four (24) months\* for materials and workmanship

**Exquisite Upright Gastronorm Chillers with Split Doors** - Twenty four (24) months\* for materials and workmanship

**Exquisite Upright Gastronorm Freezers** - Twenty four (24) months\* for materials and workmanship

**Exquisite Upright Gastronorm Freezers with Split Doors** - Twenty four (24) months\* for materials and workmanship

**Exquisite Sandwich / Pizza Preparation Chillers** - Twenty four (24) months\* for materials and workmanship

**Exquisite Salad / Noodle Bar Chillers** - Twenty four (24) months\* for materials and workmanship

**Exquisite Ingerdients Counter Top Chillers** - Twenty four (24) months\* for materials and workmanship

**Exquisite Stainless Steel Top Chest Freezers** - Twelve (12) months for materials and workmanship

**Exquisite Counter Top Display Chillers** - Twelve (12) months for materials and workmanship

**Exquisite Upright Display Chillers** - Twelve (12) months for materials and workmanship

**Exquisite Upright Double Door Display Chillers** - Twelve (12) months for materials and workmanship

**Exquisite Back Bar Chillers** - Twelve (12) months for materials and workmanship

**Exquisite Cake Display Cabinets-Cold** - Twelve (12) months for materials and workmanship

**Exquisite Heated Display Cabinets** - Twelve (12) months for materials and workmanship

**Exquisite Counter Top Cold Display Cabinets** - Twelve (12) months for materials and workmanship

**Exquisite Counter Top Heated Display Cabinets** - Twelve (12) months for materials and workmanship

**Exquisite Upright Display Freezers** - Twelve (12) months for materials and workmanship

**Exquisite Flat Glass Chest Freezers** - Twelve (12) months for materials and workmanship

**Exquisite Curved Glass Chest Freezers** - Twelve (12) months for materials and workmanship

**Exquisite Ice Cream Freezers with Glass Canopy** - Twelve (12) months for materials and workmanship

**Exquisite Power Ice Slicers** - Twelve (12) months for materials and workmanship

**Exquisite IME Ice Machine Range** - Twelve (12) months for materials and workmanship

**Cratcho Beverage Dispensers** - Twelve (12) months for materials and workmanship

**Exquisite Medical Refrigerators** - Twelve (12) months for materials and workmanship

Should the Customer find any defect in material or workmanship within the Warranty Period, Exquisite will at its sole discretion either replace the Product or repair the Product at no cost subject to the following terms and conditions (“**Warranty**”).

1. The Warranty applies if and only if the Customer has used the Product in accordance with the directions given by Exquisite and strictly for the purpose to which the Product is intended.
2. The Warranty Period begins on the original date of purchase (being the date stated on Exquisite’s invoice or the invoice of Exquisite’s authorised dealer (“**Invoice**”).
3. The Warranty is valid only for Products originally purchased and used within Australia.
4. The Customer must provide to Exquisite details of the Invoice (including serial number and model code) when making a claim under the Warranty. Incorrect or incomplete details may delay the processing of the claim. Exquisite reserves the right to charge the Customer for all reasonable

\*Twenty four (24) months warranty applied to selected products purchased from September 2017 onward unless otherwise indicated

# Warranty Against Defects

expenses if the information provided by the Customer is incorrect or the Product was in fact not originally purchased by the Customer directly from Exquisite.

5. Exquisite or its authorised agent has the right to assess the Product to determine the cause of the defect. The Customer must make the Product accessible for Exquisite or its authorised agent to assess and, if applicable, to repair including removing all personal items in the way. If required, the Customer must at the Customer’s own cost (unless otherwise prescribed by law) return the Product to Exquisite or its authorised agent. The Product must be returned with all original components including but not limited to manual, keys and bracket.
6. The Warranty does not apply:
  - If notice of the defect has not been given by the Customer within the Warranty Period; or
  - If the defect arises from or in the reasonable opinion of Exquisite or its authorised agent, is likely to arise from one or more of the following:
    - connection to improper, inadequate or faulty electricity;
    - damage or failure as a consequence of not removing the packaging or transportation material before use;
    - natural wear and tear including but not limited to filters, fuses, lamps, batteries, handles, locks, hinges, glass or plastic components and liquid containing components;
    - extraordinary or unforeseeable events including but not limited to voltage/power surges, irregular electric power supply, natural events or disasters such as flooding and earthquake, riots and sabotage;
    - improper use of cleaning agents, detergents, bleaches or other chemical additives or agents of a corrosive nature;
    - breakage, either intentionally or accidentally, to any part of the Product;
    - any modification to, tampering with or repair or servicing of the Product except by Exquisite or its authorised agent or using parts not approved or authorised by Exquisite;
    - improper, reckless, negligent or unsuited use of the Product including but not limited to: (a) use for an unspecified purpose; (b) use in an environment where the ambient temperature and relative humidity are outside the operating parameters specified for the Product; (c) movement of the Product when in operation (for clarity, the Products are designed for stationary operation only and must be connected directly to fixed wall power supply); (d) improper adjustment made such as to the analogue thermostat or digital controller when the Product is in operation;
    - corrosion or damage caused by foreign object externally or internally;
    - engine, mechanical or technical failure (but not limited to compressor failure) due to one or more of the following:
    - inadequate and/or irregular maintenance (of the type specified or recommended by its manufacturer/Exquisite) of components including but not limited to condensers and filters;
    - inadequate and/or irregular cleaning of the condenser (fortnightly and more frequently if required);
    - failure to provide adequate ventilation for the Product as specified or recommended by its manufacturer/Exquisite;
    - fair wear and tear.
7. Any repair must be undertaken either by Exquisite or an agent authorised by Exquisite. Otherwise, Exquisite is entitled to avoid the Warranty.
8. The Warranty Period is not extended or renewed by any successful claim whereby the Product is replaced or repaired.
9. Exquisite makes no representation as to the time frame within which any repair can or will be carried out. In general, any repair will be restricted to normal business hours Monday to Friday (9am - 5pm) excluding public holidays and weekends. Exquisite is not liable for the cost of the authorised service agents other than the time specified in this point. Exquisite is not liable for travelling time of more than 50 kilometres from an authorised service agent or 1 hour from the service agent, whichever is lesser. For goods located outside this area, it is the customer responsibility and cost to transport goods forth and back. When the customer is not able to transport the goods, the customer shall be responsible to pay upfront payment for Exquisite to arrange the transportation of the goods, AND / OR to any necessary travelling expenses for Exquisite service agents to attend the service.
10. Warranty back to base apply to any items that can be carried and place into a standard vehicle (eg: WI-303 and Crathco Drink Dispenser) is/are to be returned (or sent via pre-paid freight) to Exquisite or its authorised service agent. The customer shall agree to arrange pick up the goods after it is being serviced.
11. Where Exquisite elects to replace rather than repair a Product but no identical replacement is available, Exquisite has the right to replace the Product with one of a similar standard and design then available from its range. Exquisite is not responsible for the re-packing and installation of any replacement.
12. Exquisite has the rights to invoice a customer directly for a service call, parts, and labour, for a service that was deemed by its authorised service agents for issues not connected to a warranty issue. The invoice is required to be paid within 14 days of the invoice date.

# Exquisite

Exquisite Marketing Australia Pty. Ltd.  
Unit 5, 6 Garden Road  
Clayton VIC 3168 Australia

**P** +61 3 9561 1595, 9561 1695

**F** +61 3 9561 1690

**E** [sales@exquisiteaust.com.au](mailto:sales@exquisiteaust.com.au)

**[WWW.EXQUISITEAUST.COM.AU](http://WWW.EXQUISITEAUST.COM.AU)**

## **Climate rating definitions**

Climate rating SN: ambient temperatures from +10°C to +32°C

Climate rating N: ambient temperatures from +16°C to +32°C

Climate rating ST: ambient temperatures from +16°C to +38°C

Climate rating T: ambient temperatures from +16°C to +43°C