

Diamond Star

Diamond Star Upright Cabinet

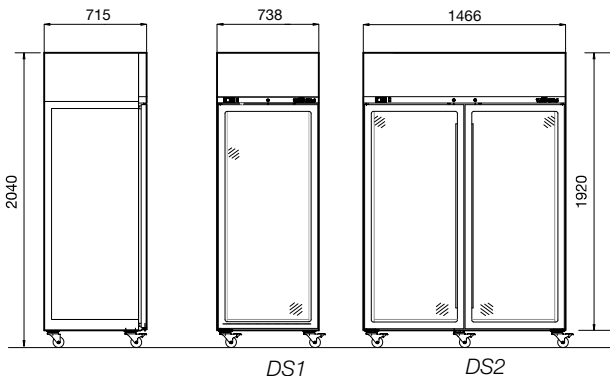


Features:

- Designed for 43°C ambient environment (38°C glass door freezer models)
- Adjustable electronic controller with digital temperature display
- High efficiency, long life LED strip lighting (lights are optional on solid door models)
- 100% CFC free polyurethane foam for greater insulation properties and added strength
- Top mounted self contained cabinet
- Auto defrost
- Optimised ducted air flow system
- Waste heat recovery vaporiser
- Large storage capacity
- Four adjustable plastic coated shelves/door
- Triple glazed heated glass door standard on all freezers
- Split shelves on two door models
- Self closing doors with easy to clean handles
- Hermetic compressor

Model	DS1	DS2
Capacity	520 litres	1100 litres
Finish: White Colorbond® interior and exterior with stainless steel internal floor*		
Refrigerator Glass Door +1°/+4° kg-unpacked / Amps-run / Wr-refrigeration Watts (nom.)	HDS1GDCB 160/3.8/620	HDS2GDCB 250/4.8/940
Refrigerator Solid Door +1°/+4° kg-unpacked / Amps-run / Wr-refrigeration Watts (nom.)	HDS1SDCB 160/3.8/440	HDS2SDCB 250/4.7/630
Freezer Glass Door -18°/-22° kg-unpacked / Amps-run / Wr-refrigeration Watts (nom.)	LDS1GDCB 160/4.3/1050	LDS2GDCB 250/9.2/1650
Freezer Solid Door -18°/-22° kg-unpacked / Amps-run / Wr-refrigeration Watts (nom.)	LDS1SDCB 160/3.3/580	LDS2SDCB 250/7.6/1100
Finish: Stainless Steel interior and exterior*		
Refrigerator Glass Door +1°/+4° kg-unpacked / Amps-run / Wr-refrigeration Watts (nom.)	HDS1GDSS 160/3.8/620	HDS2GDSS 250/4.8/940
Refrigerator Solid Door +1°/+4° kg-unpacked / Amps-run / Wr-refrigeration Watts (nom.)	HDS1SDSS 160/3.8/440	HDS2SDSS 250/4.7/630
Freezer Glass Door -18°/-22° kg-unpacked / Amps-run / Wr-refrigeration Watts (nom.)	LDS1GDSS 160/4.3/1050	LDS2GDSS 250/9.2/1650
Freezer Solid Door -18°/-22° kg-unpacked / Amps-run / Wr-refrigeration Watts (nom.)	LDS1SDSS 160/3.3/580	LDS2SDSS 250/7.6/1100

*Refer notes page 15



Options (see page 15):



Gas: Self-contained fridge R134a@-5C SST
 Self-contained freezer R404a@-30C SST
 Remote units R404a (others available)
 Electrical lead length 1.5m min. 240V 50Hz
 Heat rejection self-contained units: Fridge 1.4xWr, Freezer 1.6xWr